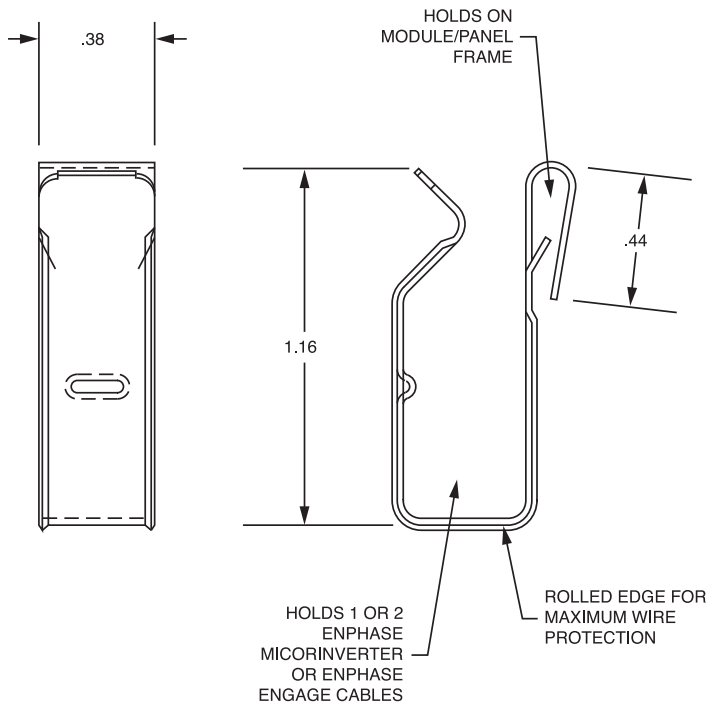


NFI-1461

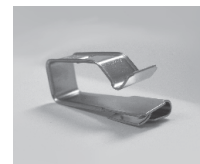
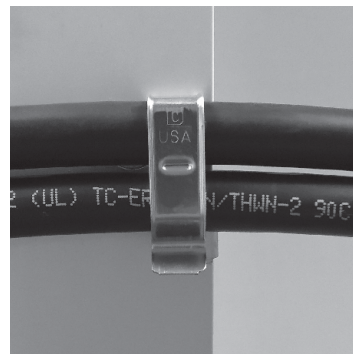
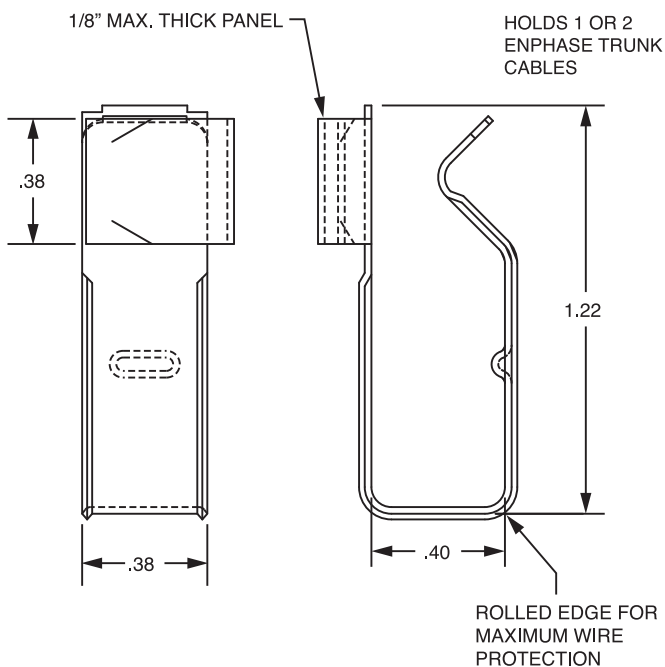


NFI-1461



- **Made In the USA** 
- **Why Pay More for Imported Parts**
- **301 Stainless Steel**
- **No Tools Required**
- **No Protruding Leads**
– Panels will lay flat after clips attached
- **Pricing and Samples on request**

NFI-1462



NFI - 1462



- **Made In the USA** 
- **90° Orientation To Module**
- **410 Stainless Steel**
- **No Tools Required**
- **No Protruding Leads**
- **Pricing and FREE Samples on Request**